

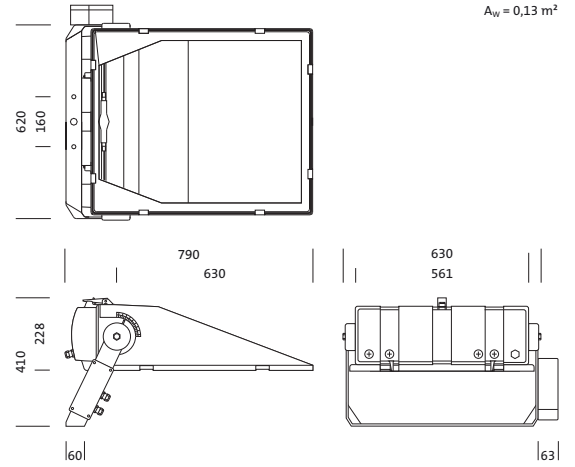
Overview of product data:  
**5NA75901VB02**

**A2MAXI,1x1000W,HIT-DE l=187,w/o. ballst**



**Product description**

SiCOMPACT® A2 MAXI, floodlight, primary light control with reflector, of aluminium, highly specular, primary optical cover: cover panel, of toughened safety glass, light emission: direct distribution, primary light characteristic: asymmetric, installation type: surface-mounted, for 1 x HIT-DE l=187 1000W, superimposed pulse ignitor, internal, ballast: without ballast, with terminal, 3-pole, max. 2.5mm<sup>2</sup>, mains connection: 230V, AC, 50Hz, luminaire housing, of diecast aluminium, sandblasted, natural, length: 790 mm, height: 230mm, mounting bracket, of steel, galvanised, protection rating (complete): IP65, insulation class (complete): insulation class I (protective earthing), certification: CE, standard: EN 50419, packaging unit: 1 piece,



IP 65

Lamps: 1x HIT-DE l=187 1000W  
Socket: K12s-36  
Wt. (kg): 25.9  
Order No.: 5NA75901VB02  
EAN: 4039806202512